

1

2

3

4

A

A

B

B

C

C

D

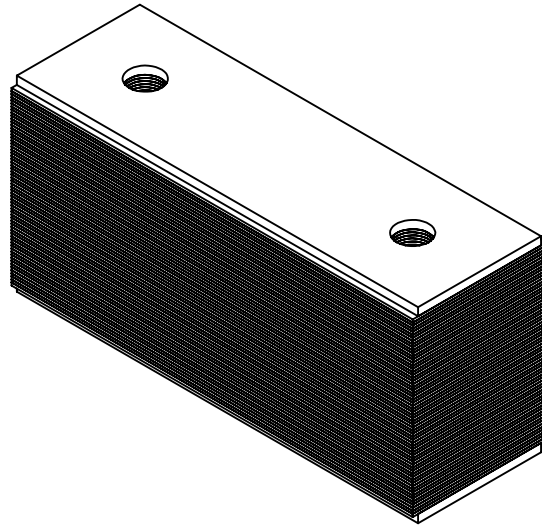
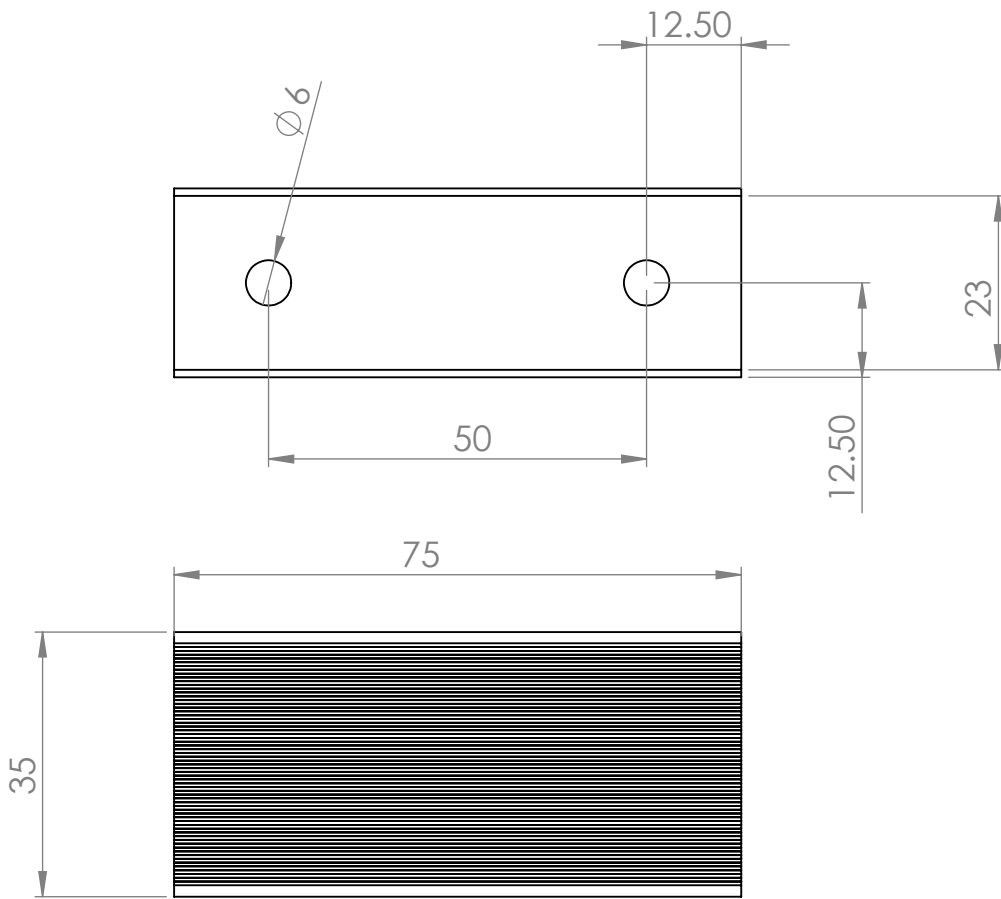
D

E

E

F

F



I:\DISEÑO\WEIGMA\AAA GRUPOS COMUNES\BOBINAS\BOBINA SM9 135 VA\SM090104 ENSABLAJE Predeterminado
 I:\DISEÑO\WEIGMA\AAA GRUPOS COMUNES\BOBINAS\BOBINA SM9 135 VA\SM090104 ENSABLAJE

UNLESS OTHERWISE SPECIFIED: DIMENSIONS ARE IN MILLIMETERS SURFACE FINISH: TOLERANCES: LINEAR: ANGULAR:		FINISH:		DEBUR AND BREAK SHARP EDGES		CODE:	REVISION
						WEIGMA®	
						TITLE:	
DRAWN		SIGNATURE		DATE		DWG NO. SM090104 ENSABLAJE	
CHK'D						A3	
APPV'D							
MFG							
Q.A				MATERIAL:			
				WEIGHT:		SCALE:1:1	
						SHEET 1 OF 1	

1

2

3

4