

1 2 3 4 5 6 7 8

A

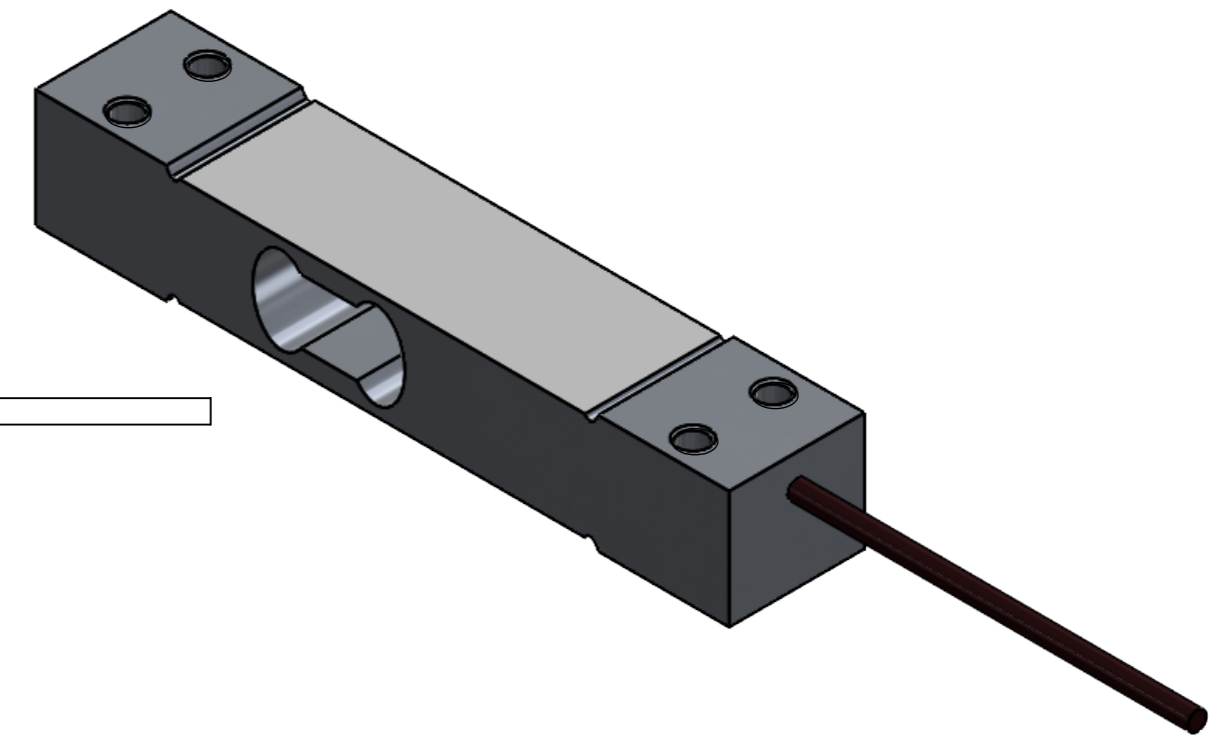
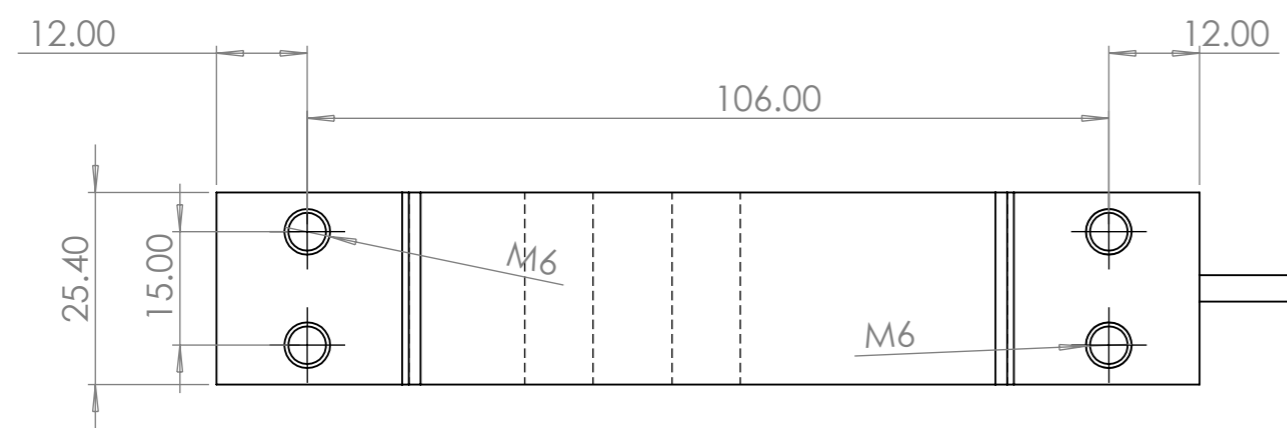
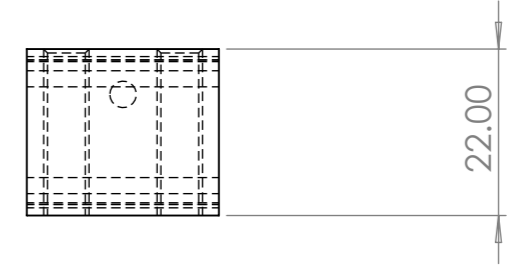
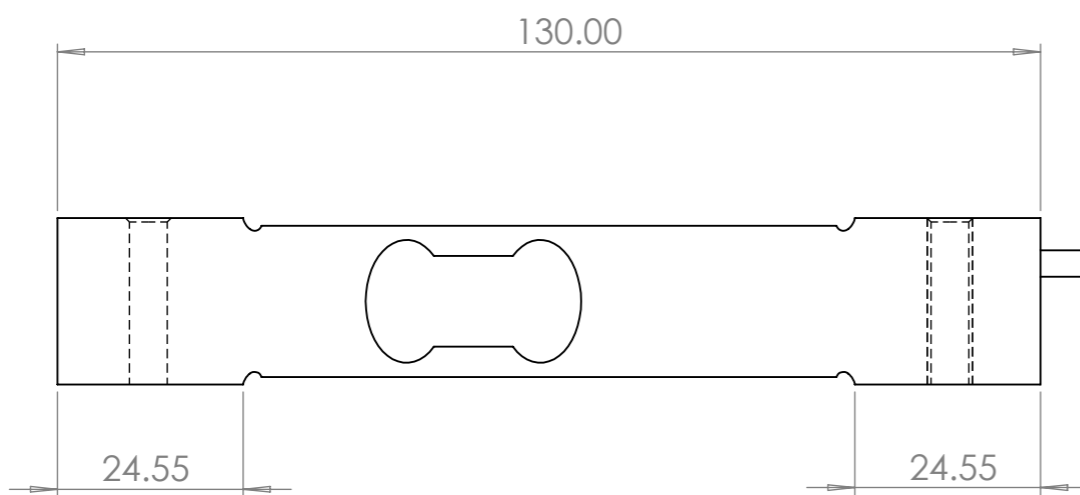
B

C

D

E

F



4 CONNECTIONS

- 1 (blue) = Excitation (+)
- 2 (white) = Signal (+)
- 3 (red) = Signal (-)
- 4 (black) = Excitation (-)

6 CONNECTIONS

- 1 (white) = Signal (+)
- 2 (red) = Signal (-)
- 3 (black) = Excitation (-)
- 4 (blue) = Excitation (+)
- 5 (green) = Sense (+)
- 6 (gray) = Sense (-)

Sensitivity: 2 mv
Maximum number of load cell intervals: 3000

E:\DISEÑO\WEIGMA\AAA GRUPOS COMUNES\CELULAS DE CARGA\HBM\PW6DC3 15 KG\PW6DC3 15KG LOAD CELL HBMPredefinido
E:\DISEÑO\WEIGMA\AAA GRUPOS COMUNES\CELULAS DE CARGA\HBM\PW6DC3 15 KG\PW6DC3 15KG LOAD CELL HBM

UNLESS OTHERWISE SPECIFIED: DIMENSIONS ARE IN MILLIMETERS		FINISH:		DEBUR AND BREAK SHARP EDGES		CODE:	REVISION
SURFACE FINISH:						WEIGMA®	
TOLERANCES:							
LINEAR:						TITLE:	
ANGULAR:						DWG No: PW6DC3 15KG LOAD CELL HBM	
NAME	SIGNATURE	DATE					A3
DRAWN							
CHK'D							
APPV'D							
MFG							
Q.A				MATERIAL:			
				WEIGHT:		SCALE:1:1	SHEET 1 OF 1

1 2 3 4 5 6 7 8